

# T67D



## Product Features

- Adjustable power size 3~5
- Adjustable closing & latching speed
- Adjustable back check (optional)
- Thermo-constant valve
- Concealed mount
- Rack & Pinion
- Track arm
- Hold-open function is reversible (optional)
- Single-action door
- Non-handed installation

Power size	3~5
<b>Max. Door width (mm)</b>	1100
<b>Max. Opening Angle</b>	120

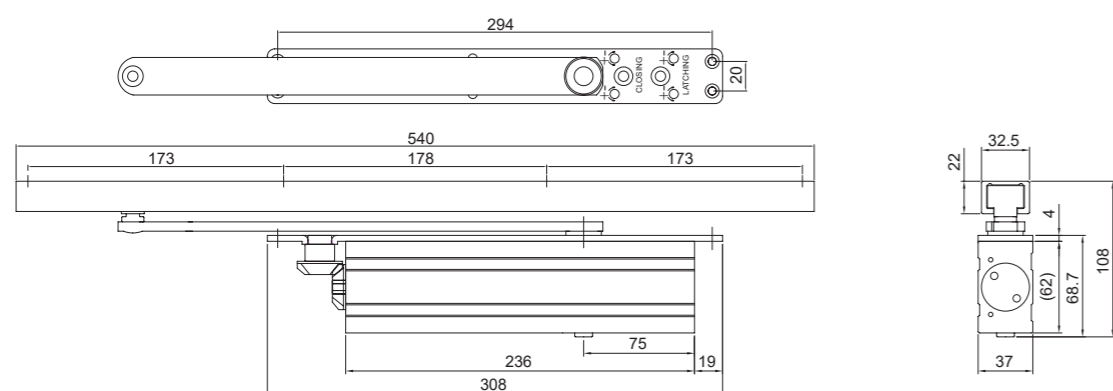
## Application Ranges

- Concealed in door

## Finishes

- Anodized aluminum for door closer body and sliding rail as standard
- Painted – silver, brown, gold, black, white & other RAL colors upon request & discussion

## Dimensions

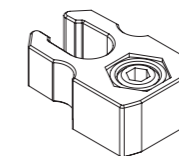


## Accessories



### ZAR-L088

- Track arm & rail



### ZAB-D078-63

- Hold-open device
- Reversible (HO & Non-HO)
- For track arm & rail:  
ZAR-L088