

150N

ANSI G1 Standard



LISTED
ANSI A156.4 G1
ANSI A117.1 ADA Compliant

Product Features

- Adjustable power size 1~6
- Adjustable closing & latching speed
- Adjustable backcheck
- Adjustable delay
- Thermo-constant valve
- Tri-pack standard, additional arms optional
- One-piece cast-iron construction
- All function regulators on same side for easier adjustment
- Rack & Pinion
- Single action door
- Non-handed installation

Application Ranges

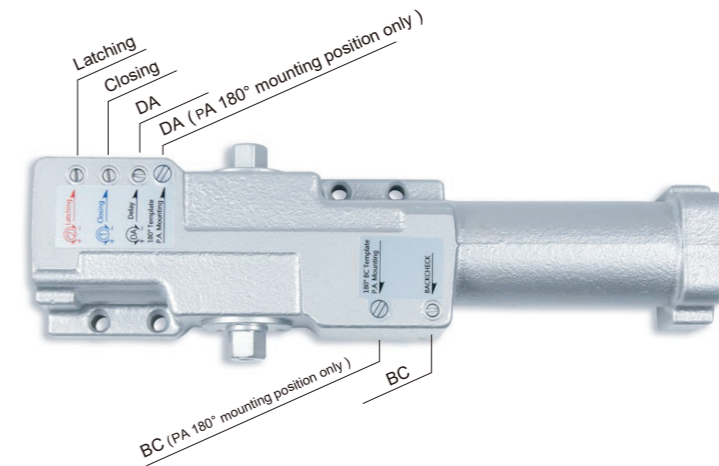
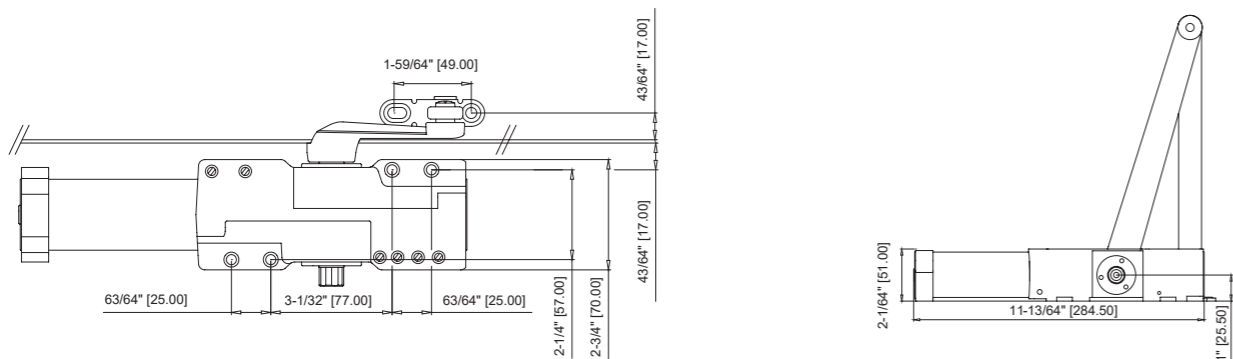
- Standard door mount on pull side max door open 120°
- Transom mount on push side max door open 120°
- Parallel bracket application on size 1~6 max door open 90°/120°/180° upon mounting positions

Power Adjustment		1	2	3	4	5	6
Door width [Inches (mm)]	Interior		34" (864)	38"	48"	54" (1372)	60" (1524)
	Exterior		8.5lb-f	(965)	(1219)	42" (1067)	48" (1219)

Finishes

- Painted –silver, brown, gold, black, white & other RAL colors upon request & discussion

Dimensions



Accessories

**PDAR-A08K15
Standard Arm**

- Non-handed
- ANSI G1/ UL Certified

**PPA-I01000
Parallel Bracket**

- ANSI G1/ UL Certified

**PCCO-I01000
Plastic Cover**

- Non-Handed

**PDAC-001-78
Spacer**

- To Support PA Shoe

Options

**PDAB-008-30
Cush-n-Stop Arm**

- Non-handed

**PMO-I01000
Drop Plate-
Parallel arm**

**PDAB-007-30
Extra Duty Arm**

- Non-handed

**PMO-I02000
Drop Plate-
Standard mount/Flush Top Jamb**

**PDAB-009-30
Hold-Open Cush Arm**

- Non-handed

**PMO-I03000
Drop Plate-Top Jamb**

**PDAB-005-30
Hold-Open Arm**

- Non-handed