

C77Z



Product Features

- Selectable position power size 2~4
- Adjustable closing & latching speed
- Adjustable back check (optional upon request)
- Thermo-constant valve
- Surface mount
- Rack & Pinion
- Standard arm
- Built in hold-open (optional upon request)*
- Single-action door
- Non-handed installation

Power size	2	3	4
Max. Door width [Inches (mm)]	34-1/4 (870)	37-12/32 (950)	43-5/16 (1100)
Max. Opening Angle	160	130	120

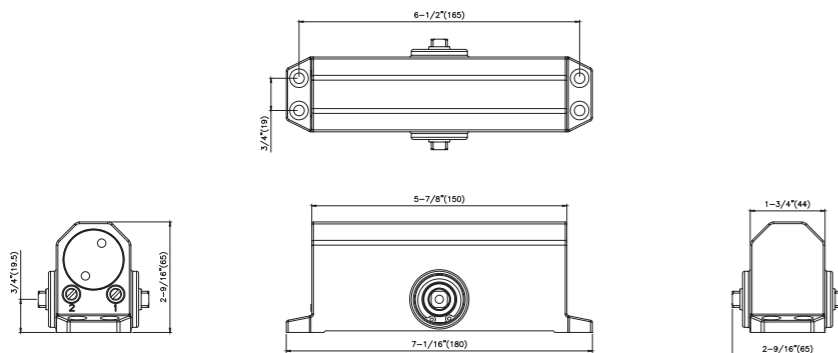
Application Ranges

- Standard door mount on pull side
- Transom mount on push side
- Parallel bracket mount on size 2~3

Finishes

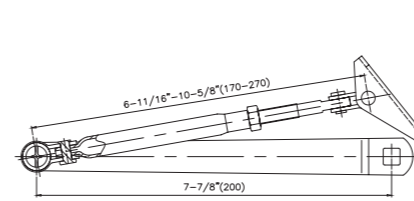
- Painted – silver, brown, gold, black, white & other RAL colors upon request & discussion
- Plating (for cover only) -US finish code colors upon request & discussion

Dimensions



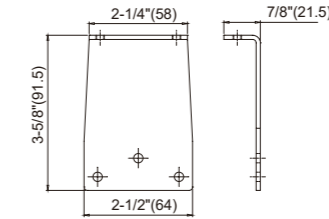
★ This option is not covered by the Certificate

Accessories



ZAR-A185

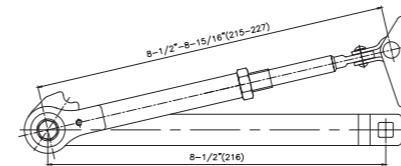
- Standard arm
- Non-handed
- UL Certified



ZPA-H01

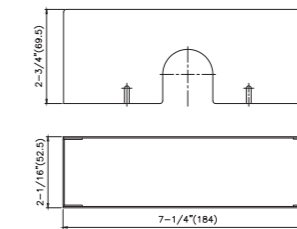
- Parallel bracket
- UL Certified

Options



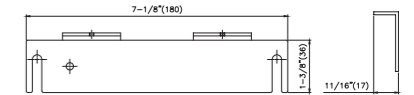
ZAR-B020

- Hold-open arm
- Non-handed



ZCO-H0500E

- Metal Cover (Steel)
- Non-handed



ZMO-H15000

- Mounting Plate