

C752



Product Features

- Fixed power size 2
- Adjustable closing & latching speed
- Surface mount
- Rack & pinion
- Standard arm
- Built in hold-open (optional upon request)
- Single-action door
- Non-handed installation

Power size	2
Max. Door width (mm)	900
Max. Opening Angle	120

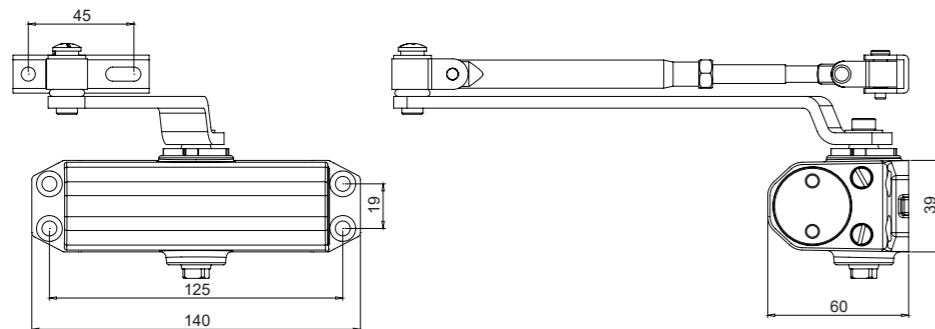
Application Ranges

- Standard door mount on pull side
- Transom mount on push side

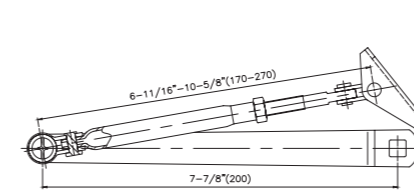
Finishes

- Painted – silver, brown, gold, black, white & other RAL colors upon request & discussion

Dimensions

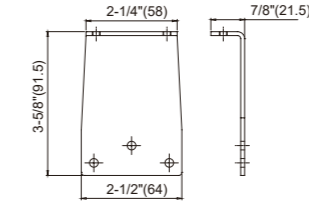


Accessories



ZAR-A185

- Standard arm
- Non-handed



ZPA-H01

- Parallel bracket