

B840



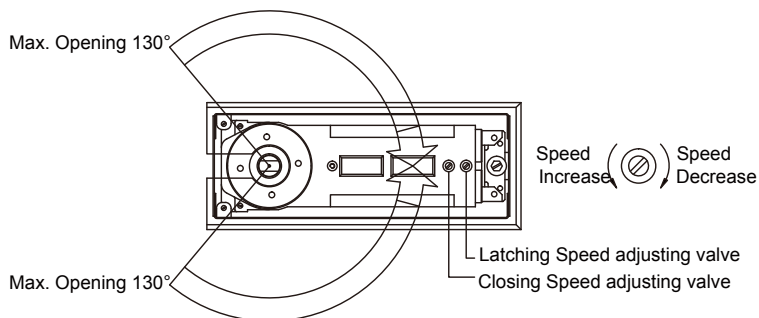
Product Features:

- Fixed power size 2/3/4 EN compliance
- Adjustable closing & latching speed
- Maximum door opening angle at 130 °
- Mechanical hold-open at 90 ° [optional upon request]

Power size	2	3	4
Max. Door width (mm)	900	1000	1100
Max. Door weight (kg)	100		

Accessories:

- Standard arm
- Pivot
- Offset arm



Application Ranges:

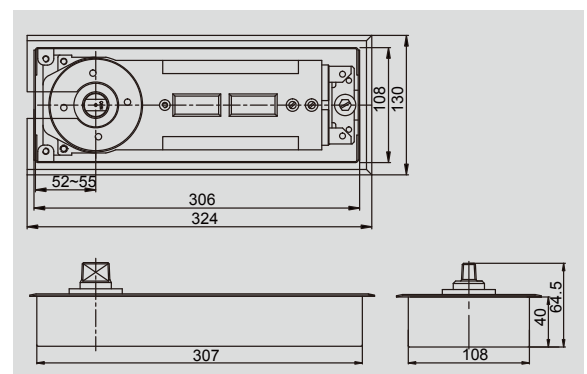
- Suitable for single & double action door
- Available for light, medium & heavy duty door

Length (mm) : 9

Width (mm) : 10

Height (mm) : 4

Dimensions:



Finishes:

- Painted – black & other colors upon request & discussion