

# B750-DR

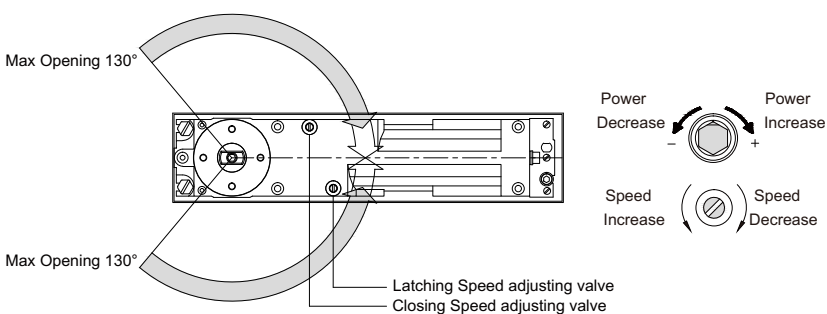


## Product Features:

- Adjustable power size 3-6 EN compliance
- Adjustable closing & latching speed
- Maximum door opening angle 130° for double & single action applications
- Smoothly stop at zero position
- Mechanical hold-open at 90 ° (optional upon request)

Power size	3	4	5	6
Max. Door width (mm)	950	1100	1250	1400
Max. Door weight (kg)	300			

- ★ According to EN1154 testing regulation, the door weight over 120kg may not fully comply with EN1154 standard.
- ★ Suggest to reduce Max door weight 20% for considering offset arm application.



## Accessories:

- Standard arm
- Pivot
- Alternative spindle options
- Offset arm

## Application Ranges:

- Available for single & double action door
- Available for light , medium & heavy duty door
- Closer mechanism adjustable in loose box for  
 Length (mm) : 4  
 Width (mm) : 2  
 Height (mm) : NA

## Finishes:

- Painted – silver black & other colors upon request & discussion

## Dimensions:

