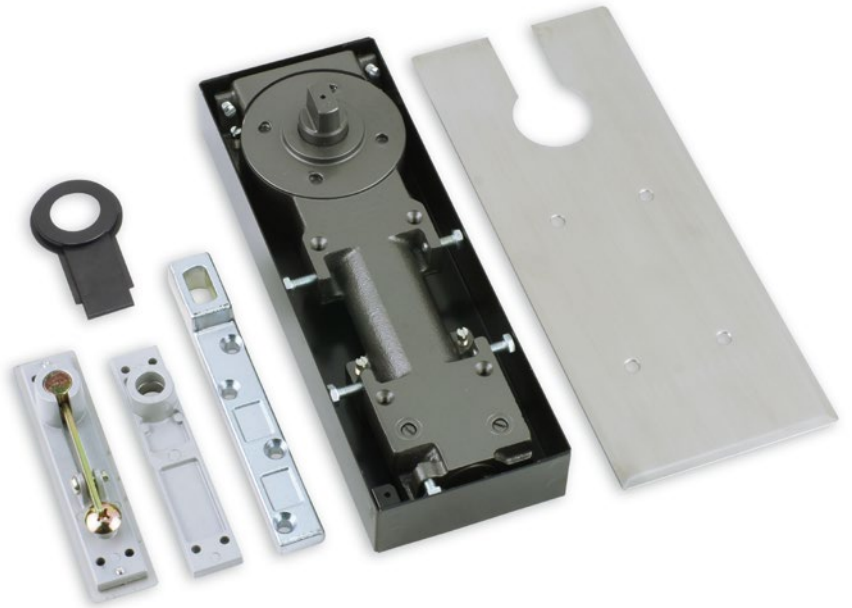


B710



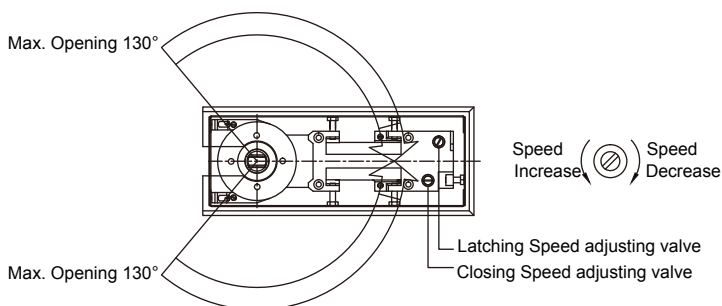
Product Features:

- Fixed power size 2 EN compliance
- Adjustable closing & latching speed
- Maximum door opening angle at 130 °
- Mechanical hold-open at 90 ° (optional upon request)

- **Power size** 2
- Max. Door width (mm) 900
- Max. Door weight (kg) 80

Accessories:

- Standard arm
- Pivot
- Offset arm



Application Ranges:

- Suitable for single & double action door
- Available for light duty only
- Closer mechanism adjustable in loose box for

Length (mm) : 8

Width (mm) : 8

Height (mm) : 6

Finishes:

- Painted – silver black & other colors upon request & discussion

Dimensions:

