

# B300

## Hydraulic Patch Fitting



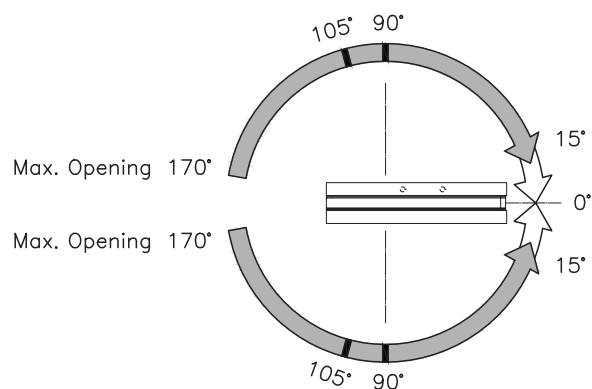
### Product Features:

- Fixed power size 3
- Adjustable closing & latching speed
- Maximum door control opening angle at 170°
- Mechanical hold-open at 90° or 105°  
(non-UL certified option upon request & discussion )



Power size	3
Max door width [Inches (mm)]	39 $\frac{3}{8}$ [1000]
Max door weight [lbs (kg)]	220 [100]
Available glass thickness [Inches (mm)]	$\frac{5}{16}$ - $\frac{33}{64}$ [8-13]

★ According to UL 228 testing regulation, the door weight over 125 lbs [57kg] may not fully comply with UL 228 standard.



### Application Ranges:

- Suitable for double action door
- Available for light & medium duty door

### Finishes:

- US32D (satin stainless steel) or other finishes upon request & discussion

### Dimensions:

