

5000 series

Vertical Rod Type (5000V & F5000V)



LISTED

1.5 HOUR FIRE RATED

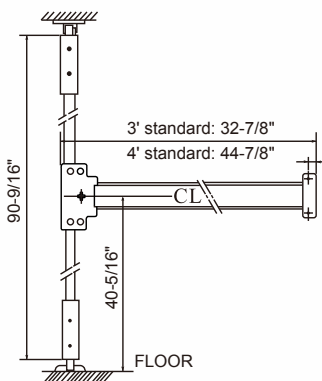
Specifications:

Material	Push bar - Steel pressed or stainless steel pressed Head Cover - Zinc alloy Spring - Stainless steel
Latch Bolt	3/4' throw, stainless steel
Dead Latch Bolt	5/8", steel
Strike	For 5/8" stop. Plus shim for 1/2" stop
Projection	Pushbar neutral: 2-3/16" (55mm), pushbar depressed: 1-7/8" (47mm)
Reversible	Non-handed, reversible for all functions and trims
For Door	1-3/4" thick of wood or metal door.
Backset	2-7/8"
Door Width	3' standard for door width of 26" to 36", 4' standard for door width 38" to 48"
Stile	4-1/4" minimum
Top and bottom rod length for 7' door	Top rod 35-1/4" , bottom rod 31-1/4", other length upon request and discussion
Mounting Height	40-5/16" from CL to finished floor recommended
Mounting	Furnished standard with sheet metal & machine screws or SNB as option.
Cylinders	For trim, knob, lever & thumb-piece type "Schlage C" key way

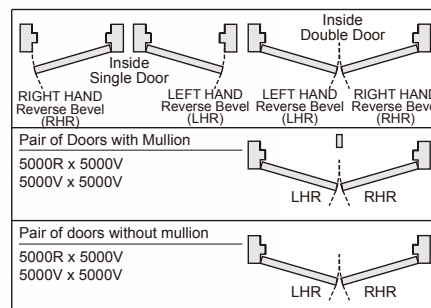
Dogging	1/4 turn, hex key dogging on non-fire labeled device
UL Listed	For "Panic Hardware" and "UL". Labeled (1.5 hours) fire exit hardware
Operation	Inside by slight pressure on any point of the push bar all time

Drawings & Dimensions:

Vertical rod type

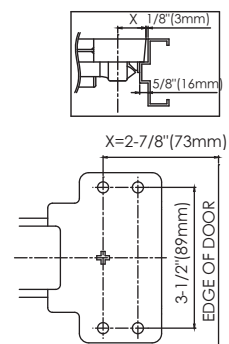


Door Application Chart



Mounting Position:

For wood or metal door



Model	Actual Length	Minimum	Door Size
3' standard	32-7/8" (836mm)	26" (660mm)	35" to 36" door width
4' standard	44-7/8" (1141mm)	38" (965mm)	47" to 48" door width

★ UL fire-rated- 3' x 7'