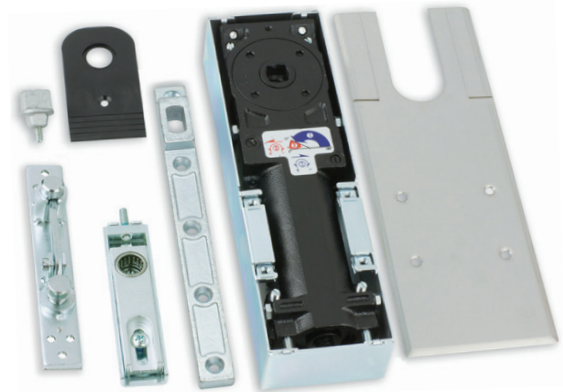


B760-SR

Floor Spring

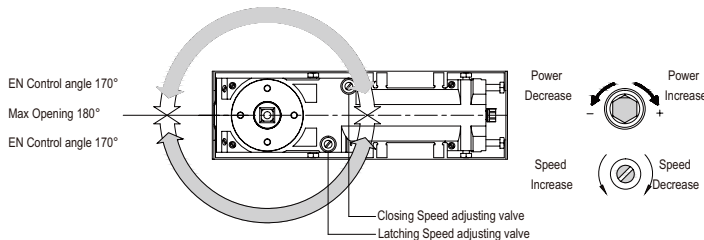


Product Features

- Adjustable power size 1-4 EN compliance
- Adjustable closing & latching speed
- Mechanical backcheck (non-EN certified)
- Maximum door opening angle 180 ° (EN control 170 °) for single & double action applications
- Mechanical hold-open at 90 ° (optional upon request)

Power size	1	2	3	4
Max. Door width (mm)	750	850	950	1100
Max. Door weight (kg)	150			

- ★ According to EN1154 testing regulation, the door weight over 80kg may not fully comply with EN1154 standard.
- ★ Suggest to reduce Max door weight 20% for considering offset arm application.



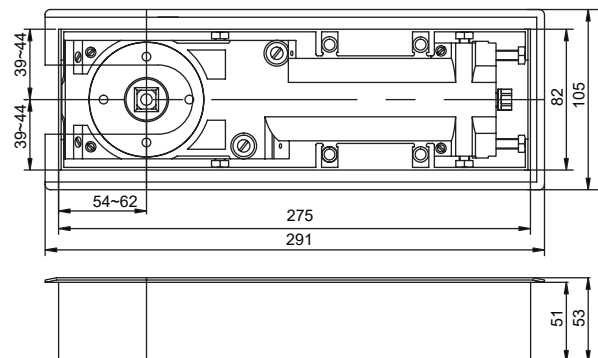
Accessories

- Standard arm
- Pivot
- Alternative spindle options
- Offset arm (non-EN certified)

Application Ranges

- Available for single & double action door
- Available for light , medium & heavy duty door
- Closer mechanism adjustable in loose box for
Length (mm) : 8
Width (mm) : 4
Height (mm) : NA

Dimensions



Finishes

- Painted – silver black & other colors upon request & discussion