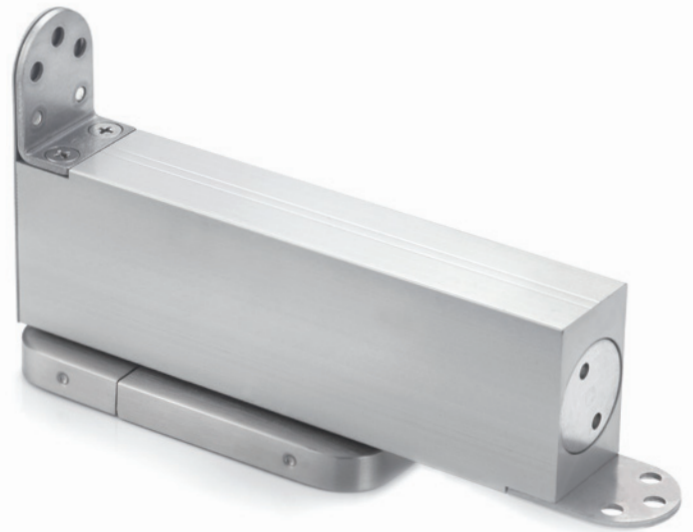


B330

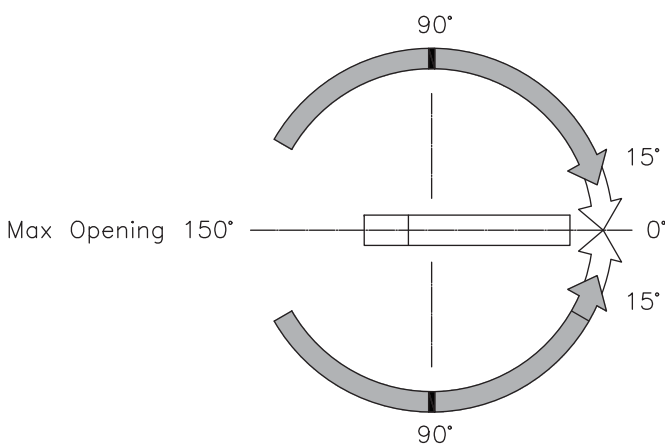
Bottom Rail Concealed Door Closer



Product Features:

- Fixed power size EN1154 EN3 compliance
- Adjustable closing & latching speed
- Maximum door opening angle at 150°
- Maximum door control opening angle at 150°
- Mechanical hold-open at 90° (optional upon request)

Power size	3
Max. door width (mm)	1000
Max. door weight (kg)	100
Min. timber door thickness (mm)	40



Application Ranges:

- Suitable for double action door
- Available for light & medium duty door

Finishes:

- Anodized aluminum for door closer body as standard
- Base - US32D (satin stainless steel) or other finishes upon request & discussion

Accessories:

- Pivot

Dimensions:

