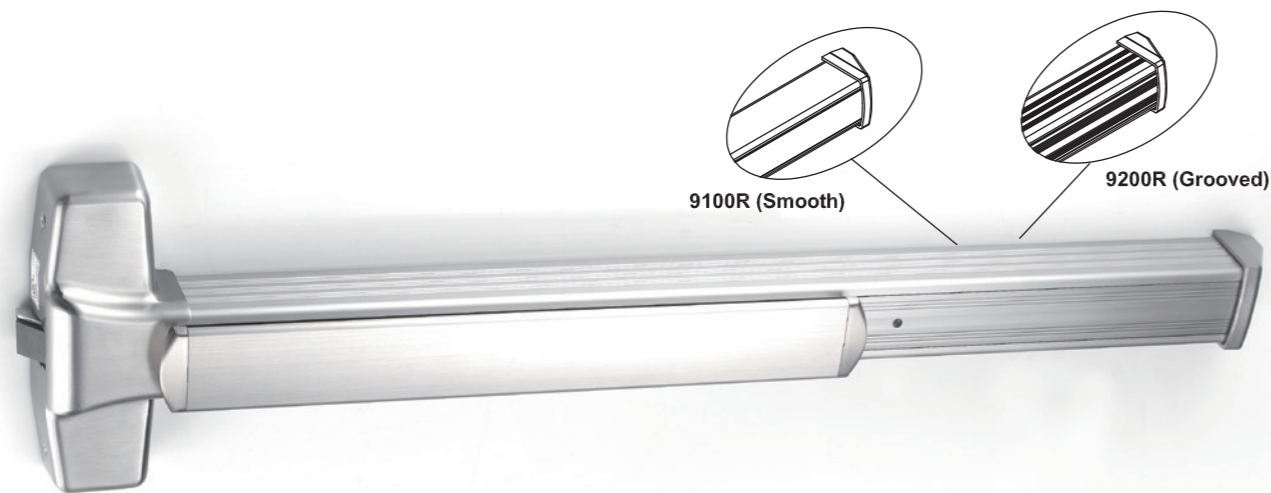


9000 series

Rim Exit Device



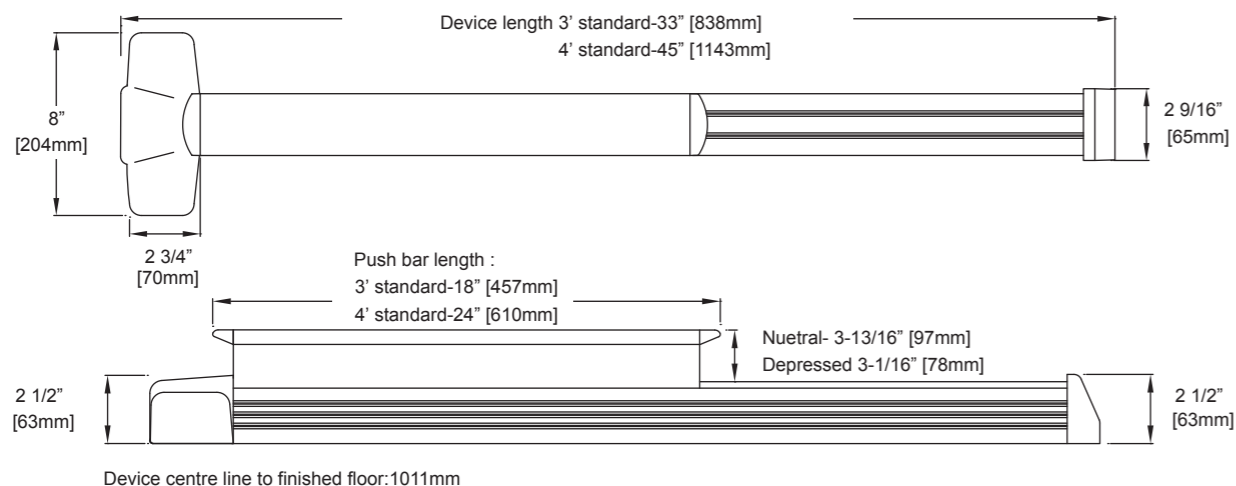
Certifications:

Structure and performance of 9000 series are certified

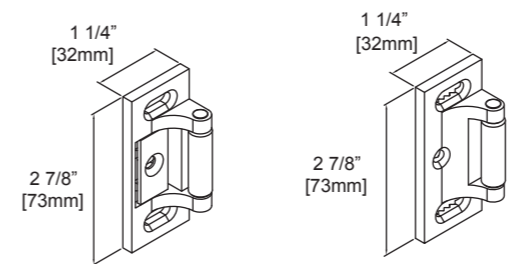
- ANSI A156.3 – Grade 1
- UL/cUL listed as panic hardware (9100R/ 9200R) and 3 hours fire rated exit hardware (F9100R/ F9200R)

Specifications:

Door width	3' standard for door width of 2'4" to 3' (711mm to 914mm) 4' standard for door width of 2'10" to 4' (864mm to 1219mm)
Door thickness	1-3/4" (44mm) and 2-1/4" (57mm) thick of metal or wood door
Fasteners	Furnished standard with sheet metal & machine screws. Sexnuts bolts supplied standard for fire rated exit device.
Latch Bolt	3/4" (19mm) throw, deadlocking design
Strike	For 3/4" (19mm) stop
Reversible	Non-handed, reversible for all functions and trims
Stile	4-1/4" (108mm) minimum
Cylinders	For trim, lever
Dogging	Hex key dogging on non-fire labeled device (9000R only)
Quiet damper	A fluid damper reduces the greatest noise associated with exit device operations



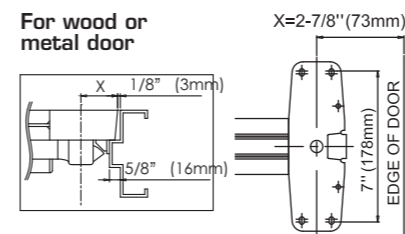
Strikes:



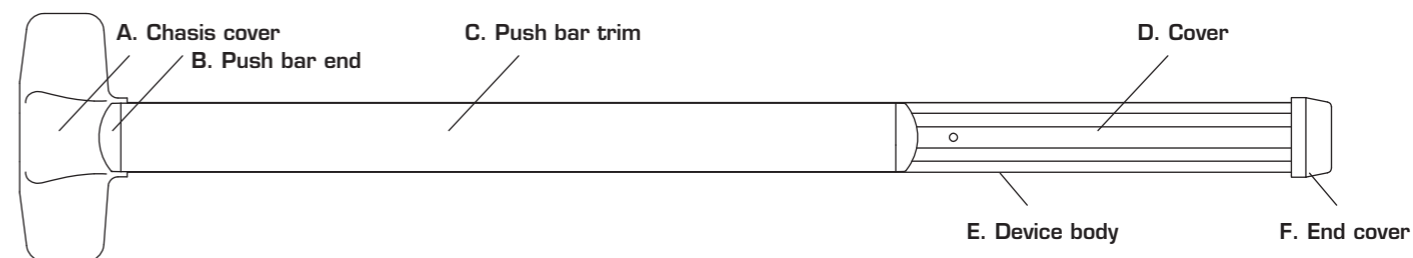
used with 9000R

used with F9000R

Mounting Position:



Standard Finishes:



US no.	Description	A	B / F	C	D / E
US28	Aluminum anodized	Paint	Paint	Satin stainless steel,630	Anodized
US32D	Satin stainless steel	Satin stainless steel,630	Plated	Satin stainless steel,630	Anodized
313	Dark bronze painted	Paint	Paint	Paint	Paint
US26D	Satin chrome plated	Plated	Plated	Satin stainless steel,630	Anodized

Certified finishes: US32D/US26D (other available finishes upon request & discussion)
Information in this catalog is subject to change without notice