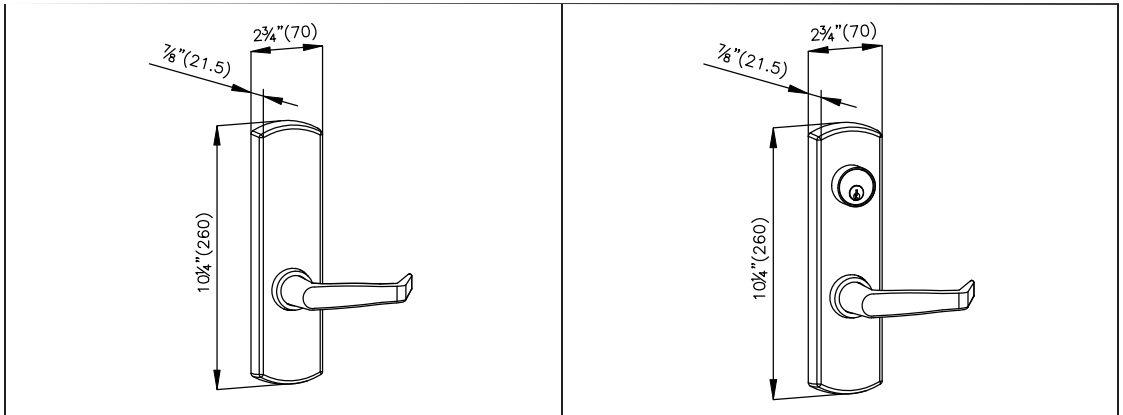


# 9000 series Rim Exit Device Accessories

## Escutcheon trim 92BL

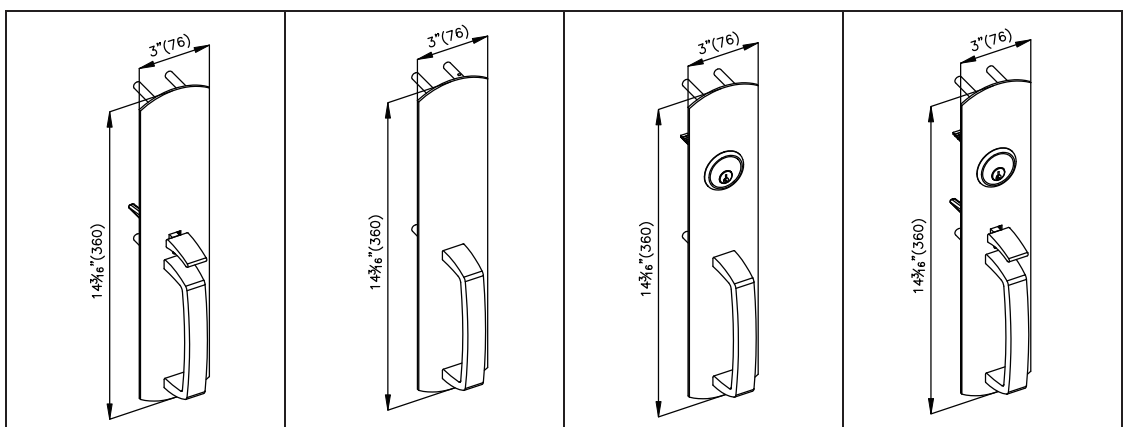
Finish: US26D and US32D, other finishes upon request & discussion  
 92BL50 and 92BL80 with cylinder as standard



CODE NUMBER	92BL30 Passage	92BL40 Dummy	92BL50 Storeroom	92BL80 Classroom
<b>Description</b>	Latch bolt retracted by lever	Entrance by lever when actuating bar is locked down	Entrance by lever only when released by keys; key removable only when locked	Entrance by lever. Key locks or unlocks lever
<b>ANSI function</b>	14	02	09	08
<b>Cylinder</b>	No cylinder	No Cylinder	Mortise Cylinder 1-1/4" (31.75mm)	Mortise Cylinder 1-1/4" (31.75mm)

## Thumbpiece trim 90TP

Finish: US26D and US32D, other finishes upon request & discussion  
 90TP50 and 90TP80 with cylinder as standard



CODE NUMBER	90TP30 Passage	90TP40 Dummy	90TP50 Storeroom	90TP80 Classroom
<b>Description</b>	when latch is released by thumb piece	Entrance by trim when actuating bar is locked down	only when released by keys; key removable only when locked	Entrance by thumb piece. Key locks or unlocks thumb piece
<b>ANSI function</b>	14	02	03	08
<b>Cylinder</b>	No cylinder	No cylinder	Rim Cylinder	Rim Cylinder